



ALL STAINLESS STEEL PRESSURE GAUGES WITH LIQUID FILLED

Series: 53

Models: Crimped Bezel 321, 322, 323, 325, Bayonet Ring 221, 222

Outline

Liquid-Filled pressure gauges are constructed with case in stainless steel AISI 304 to guarantee a long and lasting life in corrosive environments. The glycerin (99.7% or silicone optional) filled is for using in applications with strong vibrations which may shorten the life span of the instrument.



323.53

Features

NOMINAL DIAMETERS (mm)

40-50-63-100

ACCURACY

1.5% of Span (F.S.)

CASE

Stainless Steel AISI 304

CONNECTION THREAD

PT/BSP(T), NPT, BSP/PF, or SAE

J1926-2 on request

BOURDON TUBE

SS AISI 316 (Germany-Imported)

MOVEMENT

Stainless Steel AISI 304

WINDOW/LENS

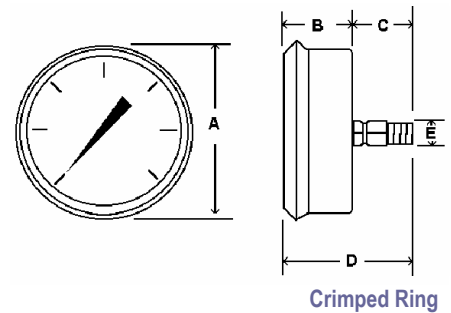
Polycarbonate (PC)

LIQUID FILLED

Pure Glycerin 99.7% or Optional

Silicone Filled

Dimensions



Technical Features

AMBIENT TEMPERATURE

+ 5 to +60°C

FLUID WORKING TEMPERATURE

Maximum +200°C

STORAGE TEMPERATURE

-10 to +70°C

PROTECTION CLASS

IP 65

Options & Accessories

Glass or Safety Glass

Chrome or Nickel-Plated Connections

Valves, Diaphragm Seals, or Other

Fitting Adaptors

DIMENSIONS	1 1/2"	2"	2 1/2"	4"	6"
A	1.88"/48 mm	2.23"/57 mm	2.80"/71 mm	4.32"/110 mm	N/A
B	1.06"/27 mm	1.09"/28 mm	1.28"/33 mm	1.63"/42 mm	N/A
C	.89"/23 mm	.71"/23 mm	1.18"/30 mm	1.14"/29 mm	N/A
D	1.95"/50 mm	1.99"/51 mm	2.46"/63 mm	2.77"/71 mm	N/A
E	1/8" NPT	1/8" or 1/4" NPT	1/4" NPT	1/4" or 1/2" NPT	N/A