

PRESSURE GAUGE WITH ALARM CONTACT, DRY (TRANSPARENT HOOD TYPE)

MODEL: EPG-75-A1 (764.01) LOWER MOUNT

SPECIFICATIONS

Electrical alarm contacts make or break an electric control circuit depending on the position of the instrument's pointer. Points of contact actuation are adjustable over the full extension of the scale graduation. The gauges feature a hub in the window for an adjustment key. Contact actuation is made when there is an upper or lower deviation of the set desired value by the instrument pointer.



GENERAL CHARACTERISTICS

NOMINAL DIAMETERS (mm)

75 (DN75)

ACCURACY

±1,0% F.S. Accuracy

POINTER

Black Aluminum

RING

Chrome-Plated Steel

RANGES

Vacuum, Compound, and upto 1000 kg

CALIBRATION PRESSURE (PC)

Refer to Order Specifications

ALARM CONTACTS

Adjustable Contacts with Antitampering Sealing:
-On Air with Magnetic Block (80%Ag-20%Ni, 10µm Gold-Plated)
-Maximum Contact Rating with Non-Inductive Ohmic Load, Filled: 30W / 50VA, Maximum 1A
-Contact Available: Up to 2 Snap Action Non Inductive Contacts

WINDOW

Transparent PC Lens

MOVEMENT

Stainless Steel AISI 316 from Germany

DIAL

White Aluminum with Black Markings and Colors Sectors as per Customer's Specification

WEIGHT

0.8 KG

TECHNICAL FEATURES

AMBIENT TEMPERATURE

-20...+60°C

CASE

Chrome-Plated Steel

PROTECTION DEGREE

None

STORAGE TEMPERATURE

-50...+60°C

PROCESS CONNECTION

Standard Brass 1/4" PT
Optional AISI 316 M14 x 1,5
G1/4 Thread (EN 837), SW14, 1/4" PT
BOURDON TUBE
Stainless Steel AISI 316 from Germany

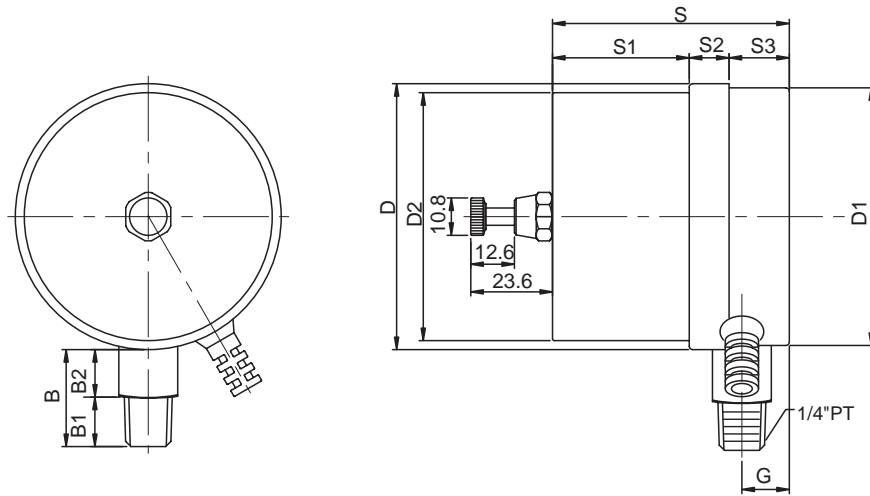
ELECTRICAL CONNECTION

1.5-Meter Wiring

OPTIONS & ACCESSORIES

Not Available

DIMENSIONS (MM)



型號	D	D1	D2	D3	B	B1	B2	S	S1	S2	S3	R	G	H
EPG-+) 15%	77.2	74.9	71.8		28.5	13.3	15.2	68.2	39.5	11.5	17.5		14.2	

POWER RATINGS: MAXIMUM CONTACT RATING

MAXIMUM CONTACT RATING WITH NON INDUCTIVE (OHMIC LOAD)	MAGNETIC SNAP-ACTION CONTACT	
	GAS FILLED GAUGES	LIQUID FILLED GAUGES
Maximum Voltage (MSR) U_{eff}	250 V	250 V
Current Ratings:		
Make Rating:	1,0 A	1,0 A
Break Rating:	1,0 A	1,0 A
Continuous Load	0,6 A	0,6 A
Maximum Load	30 W 50 VA	20 W 20 VA

RECOMMENDED CONTACT RATINGS

VOLTAGE (DIN IEC 38) DC / AC	MAGNETIC SNAP-ACTION CONTACT			
	GAS FILLED GAUGES		LIQUID FILLED GAUGES	
	Ohmic Load		Inductive Load $\cos\phi > 0,7$	
	DC	AC	Ohmic Load	Inductive Load $\cos\phi > 0,7$
	mA	mA	DC	AC
			mA	mA
230	100	120	65	65 90 40
110	200	240	130	130 180 85
48	300	450	200	190 330 130
24	400	600	250	250 450 150

Note: Please refer to the user's manual for detailed maximum power ratings and recommendations.