

# PRESSURE GAUGE WITH ALARM CONTACT, FILLED

**MODEL:** EPG-100 Liquid-Filled

## SPECIFICATIONS

Electrical alarm contacts make or break an electric control circuit depending on the position of the instrument's pointer. Points of contact actuation are adjustable over the full extension of the scale graduation. The gauges feature a hub in the window for an adjustment key. Contact actuation is made when there is an upper or lower deviation of the set desired value by the instrument pointer.



EPG-100

## GENERAL CHARACTERISTICS

### NOMINAL DIAMETERS (mm)

100 (DN100)

### ACCURACY

±1,0% F.S. Accuracy

### POINTER

Black Aluminum

### RING

Bayonet Lock, Stainless Steel AISI 304 with Antitampering Sealing

### RANGES

Vacuum & Compound Gauges

### CALIBRATION PRESSURE (PC)

Refer to Order Specifications

### ALARM CONTACTS

Non-Adjustable Contacts with Antitampering Sealing:  
-On Air with Magnetic Block (80%Ag-20%Ni, 10µm Gold-Plated)  
-Maximum Contact Rating with Non-Inductive Ohmic Load, Filled: 30W / 50VA, Maximum 1A  
-Contact Available: Up to 3 Snap Action Non Inductive Contacts

### WINDOW

Safety Glass

### MOVEMENT

Stainless Steel AISI 316 from Germany

### DIAL

White Aluminum with Black Markings and Colors Sectors as per Customer's Specification

### WEIGHT

1.2 KG

## TECHNICAL FEATURES

### AMBIENT TEMPERATURE

-20...+60°C

### CASE

Fully Welded Stainless Steel AISI 304 Filled with Silicone Oil

### PROTECTION DEGREE

IP 65 as per EN 60 529 / IEC 529

### STORAGE TEMPERATURE

-50...+60°C

### PROCESS CONNECTION

Fully Welded Stainless Steel AISI 316 M20 x 1,5 G½B Thread (EN 837), SW22

### BOURDON TUBE

Stainless Steel AISI 316 from Germany

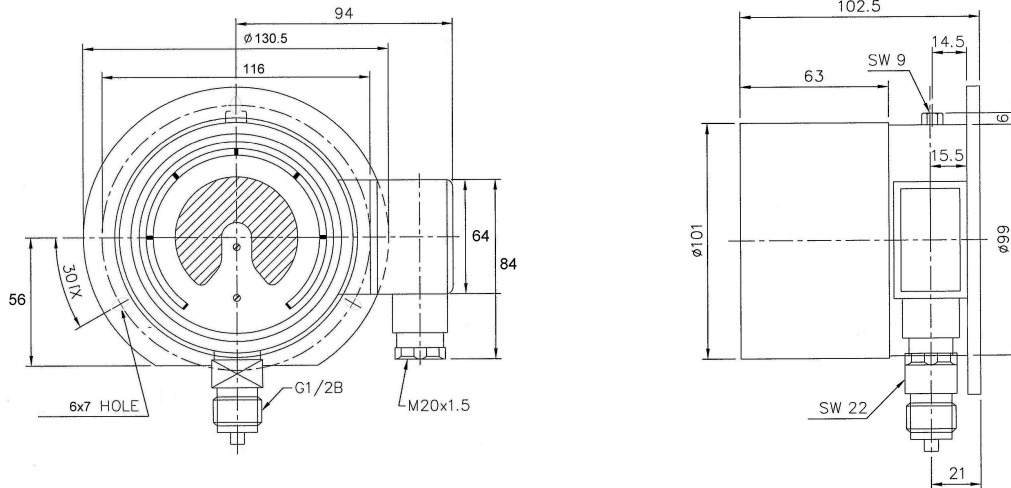
## ELECTRICAL CONNECTION

Junction Box with Cable Gland  
M20 x 1,5 – PG 13,5 (2,5 mm<sup>2</sup>)

## OPTIONS & ACCESSORIES

Junction Box on the Left  
Contact Adjustment Adjustable  
Removable Junction Box – PG13,5

## DIMENSIONS (MM)



## DIMENSIONS (MM)

Single/Double Contacts with Isolating Layers  
Triple Contacts with Isolating Layers

	b	e
Single/Double Contacts with Isolating Layers	96	63
Triple Contacts with Isolating Layers	96	63

## POWER RATINGS: MAXIMUM CONTACT RATING

MAXIMUM CONTACT RATING WITH NON INDUCTIVE (OHMIC LOAD)	MAGNETIC SNAP-ACTION CONTACT	
	GAS FILLED GAUGES	LIQUID FILLED GAUGES
Maximum Voltage (MSR) $U_{eff}$	250 V	250 V
Current Ratings:		
Make Rating:	1,0 A	1,0 A
Break Rating:	1,0 A	1,0 A
Continuous Load	0,6 A	0,6 A
Maximum Load	30 W 50 VA	20 W 20 VA

## RECOMMENDED CONTACT RATINGS

VOLTAGE (DIN IEC 38) DC / AC	MAGNETIC SNAP-ACTION CONTACT					
	GAS FILLED GAUGES			LIQUID FILLED GAUGES		
	Ohmic Load		Inductive Load $\cos\phi > 0,7$	Ohmic Load		Inductive Load $\cos\phi > 0,7$
V	DC mA	AC mA	mA	DC mA	AC mA	mA
230	100	120	65	65	90	40
110	200	240	130	130	180	85
48	300	450	200	190	330	130
24	400	600	250	250	450	150

Note: Please refer to the user's manual for detailed maximum power ratings and recommendations.