

PRESSURE GAUGE WITH ALARM CONTACT, DRY (TRANSPARENT HOOD TYPE)

MODEL: EPG-100 DRY

SPECIFICATIONS

Electrical alarm contacts make or break an electric control circuit depending on the position of the instrument's pointer. Points of contact actuation are adjustable over the full extension of the scale graduation. The gauges feature a hub in the window for an adjustment key. Contact actuation is made when there is an upper or lower deviation of the set desired value by the instrument pointer.



EPG-100

GENERAL CHARACTERISTICS

NOMINAL DIAMETERS (mm)

100 (DN100)

ACCURACY

±1,0% F.S. Accuracy

POINTER

Black Aluminum

RING

Bayonet Lock, Chrome-Plated Steel with Antitampering Sealing

RANGES

Vacuum, Compound, and upto 1000 kg

CALIBRATION PRESSURE (PC)

Refer to Order Specifications

ALARM CONTACTS

Non-Adjustable Contacts with Antitampering Sealing:
-On Air with Magnetic Block (80%Ag-20%Ni, 10µm Gold-Plated)
-Maximum Contact Rating with Non-Inductive Ohmic Load, Filled: 30W / 50VA, Maximum 1A
-Contact Available: Up to 3 Snap Action Non Inductive Contacts

WINDOW

Transparent PC Lens

MOVEMENT

Stainless Steel AISI 430 from Germany

DIAL

White Aluminum with Black Markings and Colors Sectors as per Customer's Specification

WEIGHT

1.2 KG

TECHNICAL FEATURES

AMBIENT TEMPERATURE

-20...+60°C

CASE

Chrome-Plated Steel

PROTECTION DEGREE

None

STORAGE TEMPERATURE

-50...+60°C

PROCESS CONNECTION

Standard Brass
Optional AISI 316 M20 x 1,5
G½B Thread (EN 837), SW22, 1/2" PT

BOURDON TUBE

Stainless Steel AISI 316 from Germany

ELECTRICAL CONNECTION

Cable Box with 1.5 M Wire

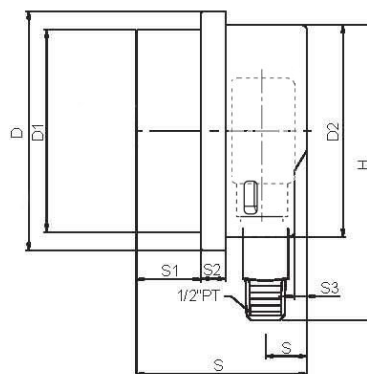
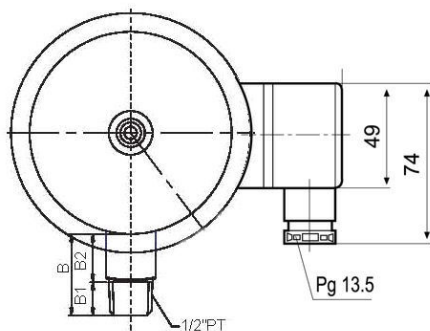
OPTIONS & ACCESSORIES

Junction Box on the Left

Contact Adjustment Adjustable

Junction Box – PG13,5

DIMENSIONS (MM)



DIMENSIONS (MM)

Single/Double Contacts with Isolating Layers

b

e

Triple Contacts with Isolating Layers

96

63

POWER RATINGS: MAXIMUM CONTACT RATING

MAXIMUM CONTACT RATING WITH NON INDUCTIVE (OHMIC LOAD)

MAGNETIC SNAP-ACTION CONTACT

GAS FILLED GAUGES

LIQUID FILLED GAUGES

Maximum Voltage (MSR) U_{eff}

250 V

250 V

Current Ratings:

Make Rating:

1,0 A

1,0 A

Break Rating:

1,0 A

1,0 A

Continuous Load

0,6 A

0,6 A

Maximum Load

30 W 50 VA

20 W 20 VA

RECOMMENDED CONTACT RATINGS

VOLTAGE (DIN IEC 38)

MAGNETIC SNAP-ACTION CONTACT

DC / AC

GAS FILLED GAUGES

LIQUID FILLED GAUGES

Ohmic Load

Inductive Load
 $\cos\phi > 0,7$

Ohmic Load

Inductive Load
 $\cos\phi > 0,7$

DC

AC

DC

AC

DC

AC

DC

AC

V

mA

mA

mA

mA

mA

mA

230

100

120

65

65

90

40

110

200

240

130

130

180

85

48

300

450

200

190

330

130

24

400

600

250

250

450

150

Note: Please refer to the user's manual for detailed maximum power ratings and recommendations.