



BATTERY-POWERED DIGITAL PRESSURE GAUGES

Series: BP

Models: BPDPG-75

Outline

The BPDPG-75 Battery-Powered Digital Pressure Gauges with 0.25% full scale accuracy provides the maximum requirements for accuracy on industrial applications. 4 digit yellow backlit LCD makes BPDPG-75 easy to read. The BPDPG-75 was built for the applications which the cost for digital solutions is highly concerned.



BPDPG-75

Features

NOMINAL DIAMETERS (inch)

3

CASE

Metal with Plastic Housing

DISPLAY

4-digit Backlit LCD

POWER

9V Battery, Auto Power-Off

ACCURACY

0.25% of Span (F.S.)

CONNECTION THREAD

1/4" NPT

PEAK-HOLD FUNCTION

Standard

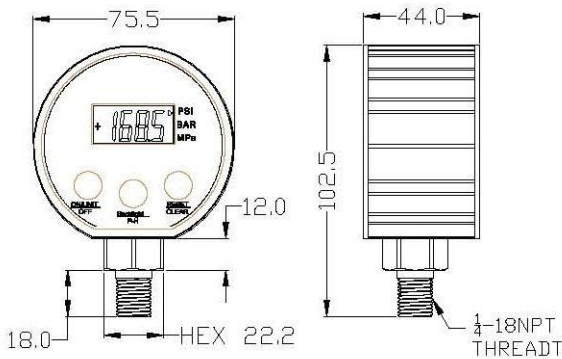
ENGINEERING UNITS

PSI, BAR, KPA, MPA, etc.

Typical Applications

- Display as an Indicator
- Pumps
- Hydraulic & Pneumatic Industries
- Compressors
- Flow & Waste Water
- Agriculture Industries
- General Industries

Dimensions



Options & Accessories

- Chrome or Nickel-Plated Connections
- Valves, Diaphragm Seals
- Other Fitting Adaptors
- Optional Rubber Protective Cap